



15

Netter Vacuum Fixing Devices for Vibrators Series VAC



- Quick mounting without bolting or welding
- Strong connection due to high vacuum
- Can also be used on curved or uneven surfaces
- Optional air economizer
- ATEX conform and stainless steel versions available
- Customized versions possible



VAC 10 with NCT 4



VAC 15 with PKL 740 ST



VAC 30 with NTS 50/04

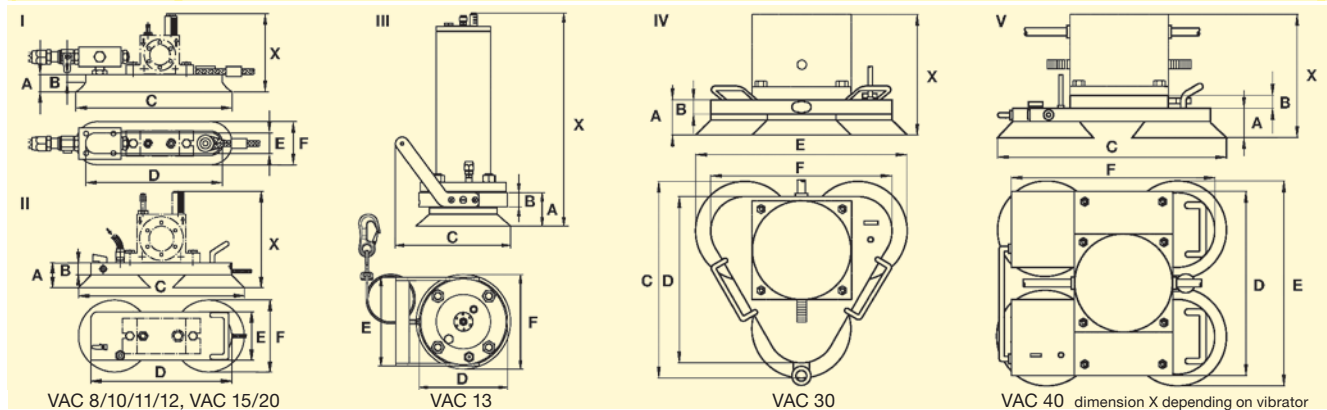


Netter Vacuum Fixing Devices for Pneumatic Vibrators Series VAC

Type + Hose set	Air consumption without vibration [l/min]		Weight [kg]	Minimum-Ø for round containers [mm]	Suitable vibrators						
	4 bar	6 bar			NCB	NCR	NCT	NTK	NTS	NTP	PKL
VAC 8 +HG 10 N	40	60	0,95	110	1, 2		1, 2	8 AL, 15 X 16, 18 AL	120 HF, 120 NF*	25**	
VAC 8 +HG 10 S	20	22	1,20						180 HF, 180 NF*		
VAC 10+HG 10 N	40	60	1,05	110	1, 2, 3	3	3, 4	15X, 18AL	180 HF, 180 NF*	25**	190
VAC 10+HG 10 S	20	22	1,30						250 HF, 250 NF*		
VAC 11 +HG 10 N	40	60	1,25	110	3, 5	10	5, 10	18 AL	180 HF, 180 NF		190, 450**
VAC 11 +HG 10 S	20	22	1,50								
VAC 12+HG 15 N	60	122	2,85	350	10, 20	22	15, 29	25 AL	350 HF, 350 NF	32**	450**
VAC 12+HG 15 S	29	36	3,20								
VAC 13+HG 15 N	110	170	4,20	850	10, 20	22	15, 29		75/01, 50/01	32**	740, 2100
VAC 13+HG 15 S	41	52	4,55								
VAC 15+HG 15 N	110	170	3,40	650	10, 20	22	15, 29	18 AL, 25	250 HF, 250 NF, 350 HF, 350 NF	32, 48*	740
VAC 15+HG 15 S	41	52	3,75								
VAC 20+HG 15 N	110	170	7,25	850		57	55, 108*		70/02, 54/02, 50/04*	32, 48	2100
VAC 20+HG 15 S	41	52	7,60								
VAC 30+HG 30 N	110	170	11,50	1.500		120	126, 250		50/04, 50/08*	NVG 49, 55, 61 NVG 82, 84*	5000
VAC 30+HG 30 S	49	60	12,00								
VAC 40+HG 40 N	220	340	20,00	1.500					50/08*, 50/10*		

The technical data are comparative values and can vary depending on the application. Additional data available upon request. Subject to technical changes. *Depending on application, please consult **NetterVibration**. **Adapter plate necessary, please include in order!

Type	Model	A [mm]	B [mm]	C [mm]	D [mm]	E [mm]	F [mm]	Type	Model	A [mm]	B [mm]	C [mm]	D [mm]	E [mm]	F [mm]
VAC 8	I	19	8	150	127	30	55	VAC 13	III	70	30	186	241	195	197
VAC 10	I	22	8	200	175	26,5	55	VAC 15	II	56	25	345	290	100	150
VAC 11	I	20	5,5	300	276	26	55	VAC 20	II	70	30	425	370	150	200
VAC 12	I	25	10	300	268	68	100	VAC 30	IV	70	30	396	339	426	370
								VAC 40	V	70	25	426	375,6	425	370



Application

The vacuum fixing devices VAC are designed to allow quick attachment of vibrators to smooth or, under circumstances, uneven and curved surfaces. A special feature of the vacuum fixing is the ease of attachment, which requires no welding or bolting.

Construction and working principle

The appropriate vibrator is screwed to the vacuum fixing and connected to the supply hose leading to the hand valve.

As soon as the vacuum fixing is connected to the compressed air supply, the unit is sucked tightly to the mounting surface, thus ensuring a strong connection between the vibrator and the surface.

The air economizer "S" creates a reduced vacuum, which is sufficient to clamp the vibrator when it is not running and which reduces the air consumption by over 30%.

ATEX conform vacuum fixings series VAC and units with stainless steel plate are available.

When the vibrator starts, the fixing device automatically produces the full vacuum.

Permissible operating conditions

Drive medium:

Compressed air or nitrogen (Filter ≤ 5 µm)

Operating pressure:

2 bar to 6 bar

Ambient temperature:

-10°C to 60°C

NetterVibration offers the accessories required for mounting, installation, control and monitoring of vibrators and impactors.

Netter provides solutions.

Consults our experienced application technicians.

Netter GmbH

Germany

Fritz-Ullmann-Str. 9
55252 Mainz-Kastel
Tel. +49 6134 2901-0
Fax +49 6134 2901-33

Switzerland

Erlenweg 4
4310 Rheinfelden
Tel. +41 61 8316200
Fax +41 61 8311291

Poland

Al. W. Korfanteo 195 / 17
40-153 Katowice
Tel. +48 32 2050947
Fax +48 32 2051572
info@NetterVibration.pl

www.NetterVibration.com
info@NetterVibration.com