



## Netter Quick-Clamping Devices Series SVS



- Fast attachment to different containers
- Economic use of vibrators
- Low weight, easy handling
- Suitable for pneumatic or electric vibrators



SVS 4 S



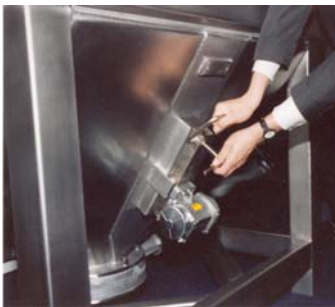
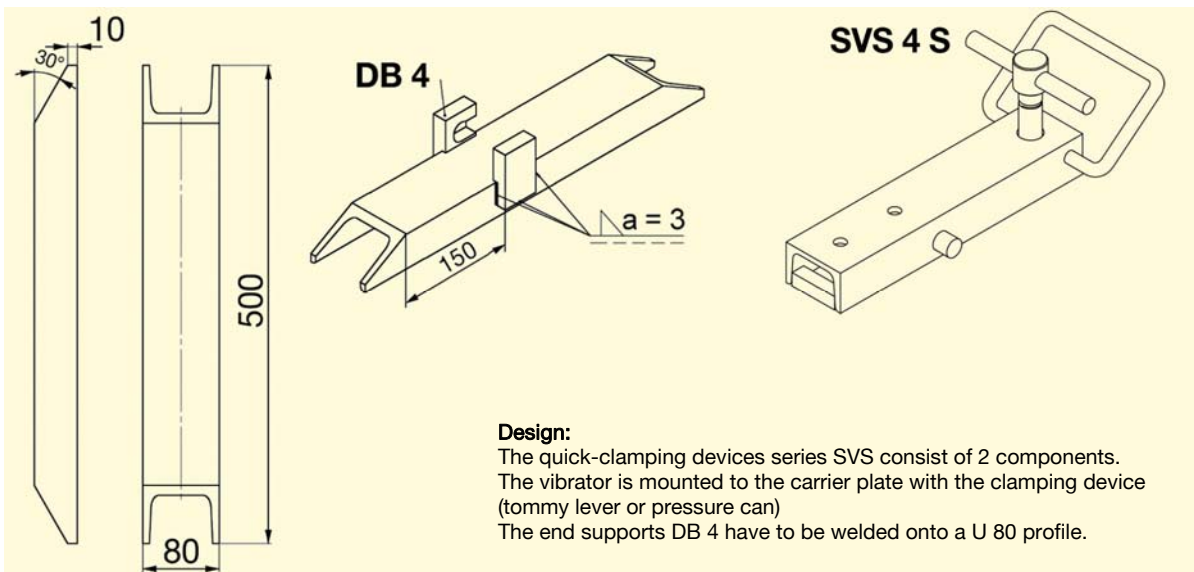
SVS 4 D



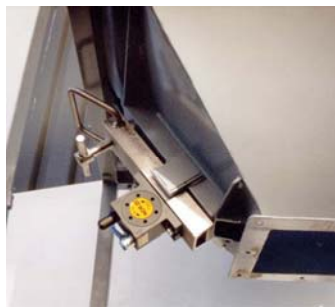
## Netter Quick-Clamping Devices Series SVS

Type	Version	Usable vibrators
SVS 4 S (T)	With toggle screw	Pneumatic vibrators: NCT, NCB, NCR, NVG, NTK, NTS and NTP
SVS 4 D (T)	With pressure can	Electric vibratos up to approx. 3000 N at 3000/min. up to approx. 1500 N at 1500/min.

T version with carrier plate. Versions made of stainless steel can be supplied.



SVS 4 ST with NEA



SVS 4 S with NCR



SVS 4 D with NTS

### Applications:

Due to its low weight the quick-clamping device can be easily inserted into the end supports. For reinforcement we recommend to weld the U-profile with a fine welding seam onto the entire length of the trough. The quick-clamping device SVS 4 S is inserted into the carrier plates's end supports up to the stop and fastened with the toggle screw. A force-locking connection between device and end supports is obtained. Now the vibrator can be started.

In version SVS-4 D the clamping occurs automatically when the compressed air supply is switched on.

**NetterVibration** offers the required accessories for mounting, installation, control and monitoring of the vibrators and impactors.

**Netter provides solutions.**  
Contact our experienced application technicians.

### Netter GmbH

**Germany**  
Fritz-Ullmann-Str. 9  
55252 Mainz-Kastel  
Tel. +49 6134 2901-0

**Poland**  
Al. W. Korfantego 195/17  
40-153 Katowice  
Tel. +48 32 2050947

**Switzerland**  
Erlenweg 4  
4310 Rheinfelden  
Tel. +41 61 8316200

**Spain**  
Errota Kalea 8  
20150 Villabona-Guipúzcoa  
Tel. +34 943 694 994

www.**NetterVibration**.com  
Info@**NetterVibration**.com