



35

Netter Timer Type AP 116 and Series PAP



- Adjustment exact to the second
- Dust and water-splash protected
- For the control of electric and pneumatic vibrators



AP 116



PAP 115



PAP 116



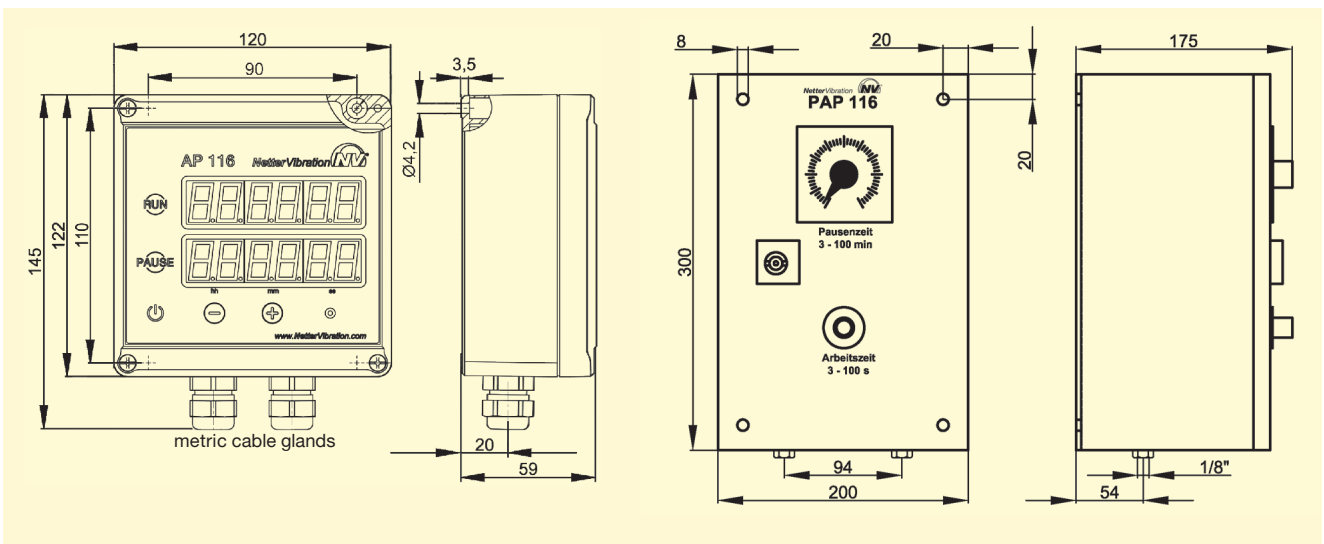
NetterVibration



Netter Timer Type AP 116 and Series PAP

Type	AP 116	PAP 115	PAP 116
Operation mode	electric, non-contact	pneumatic	pneumatic
Adjustment	digital	analogue	analogue
Duty time	hh : mm : ss, 1 s to 99 h	3 s to 180 s (down)	3 s to 180 s (down)
Pause time	hh : mm : ss, 1 s to 99 h	3 s to 180 s (up)	3 min to 100 min (up)
Switching current	AC / DC: 1,25 A	-	-
Own consumption	2 VA (in operation), 0,25 VA (standby)	-	-
Input/output*	AC 90 V – 240 V (50/60 Hz) DC 24 V – 48 V ± 5 %	1/8"	1/8"
Operation pressure	-	minimum 3 bar	minimum 3 bar
Ambient temperature	-20°C to 60°C	-10°C to 60°C	-10°C to 60°C
Protection	IP 65, radio interference suppression	IP 66	IP 66
Housing	polycarbonate	Al	Al

*Input voltage = output voltage



AP 116

Applications

The electronic timer AP116 is used to control pneumatic and electric vibrators. The advantages of temporary vibrator application are that noise levels can be reduced and energy saved.

Construction and Working Principle

The electronic timer is used to operate solenoid valves or motor overheating protection at freely selectable intervals. The sequence begins with the duty time, which can be adjusted from 1 s to 99 h. During this time the supply voltage is applied to the consuming device being controlled. When the duty time ends, the pause time of 1 s to 99 h is run, then the duty time, etc. The elapsed time is visible on the display. The A116 can be used separately or integrated in a switching cabinet.

PAP 115 and PAP 116

Applications

Series PAP pneumatic time controls are suitable for interval control of vibrators, as well as the control of impactors (PKL). The times can be continuously adjusted.

Construction and Working Principle

Activation (on/off) with a directional control valve. The PAP can actuate all directional, valves, but is not sufficient for the direct activation of consuming devices. It must be ensured that enough adequately sized actuation valves are provided for vibrators, etc. The pause time of the PAP 115 can be adjusted exact to the second, that of the PAP 116 exact to the minute. Use filtered (filter $\leq 5 \mu\text{m}$) compressed air. Constant pressure guarantees reproducible times.

NetterVibration offers the accessories required for the mounting, installation, control and monitoring of vibrators and impactors.

**Netter provides solutions.
Consult our experienced application technicians.**

Netter GmbH

Germany

Fritz-Ullmann-Str. 9
55252 Mainz-Kastel
Tel. +49 6134 2901-0
Fax +49 6134 2901-33

Switzerland

Erlenweg 4
4310 Rheinfelden
Tel. +41 61 8316200
Fax +41 61 8311291

Poland

Al. W. Korfantego 195/17
40-153 Katowice
Tel. +48 32 2050947
Fax +48 32 2051572

www.NetterVibration.com
info@NetterVibration.com